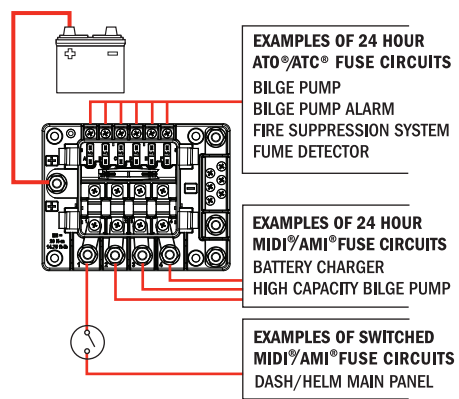


## 7748 - SafetyHub 150 Application Diagram

### FUSE BLOCK CONNECTED BEFORE THE BATTERY SWITCH



### FUSE BLOCK CONNECTED AFTER THE BATTERY SWITCH

